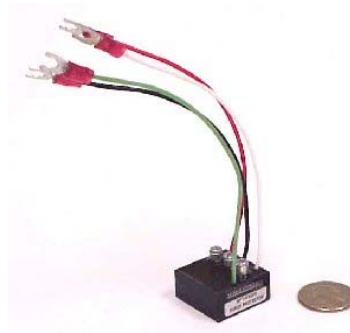


# SPT-43U SERIES

## THREE WIRE TRANSMITTER / INSTRUMENTATION

## SURGE SUPPRESSOR



### FEATURES:

- ▶ Mounts inside most models of 3 wire dp field transmitters
- ▶ Designed for all equipment used in 3 wire control / monitor loops.
- ▶ Exceeds severity level 4 of IEC/EN 61000-4-4 (Provides 10 kA / Line of surge protection).
- ▶ Unique multi-stage design provides the most effective suppression available and requires no additional secondary protection.
- ▶ Automatically resets after each transient. No maintenance is required.
- ▶ All installation hardware included.
- ▶ Space efficient protector is hermetically sealed and suitable for the most harsh industrial environments.
- ▶ Can be used on analog and digital signal / data lines.
- ▶ Sub nanosecond response time stops failures due to lightning, spikes and over-voltage surges while minimizing other electrical noise.
- ▶ Superior protection at an affordable price.
- ▶ Same model may be used on both ends of data lines, reducing spare requirements.

### Applications:

The SPT-43U Series is designed to protect 3 wire transmitters, measurement and process control equipment, 4-20 mA loop instrumentation.

Select the model according to the operating voltage from table found on the reverse side of this data sheet.

Select the SPT-42U Series for 2 wire applications.

### Typical Installation:

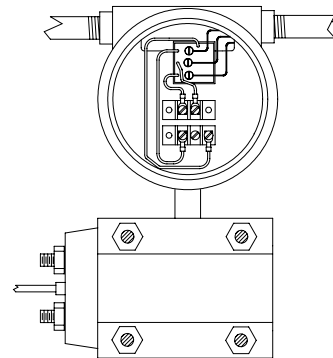
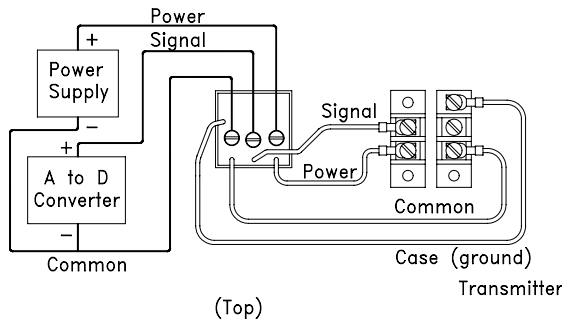
Mount the SPT-43U Series to any convenient surface using the mounting tape provided. Connect the field wires to the terminal posts as indicated. Connect the red, black, and white wires to the instrument terminal block. The ground wire (green) must be connected to a good earth ground (normally the instrument case).

# SPT-43U SERIES OPERATING SPECIFICATIONS:

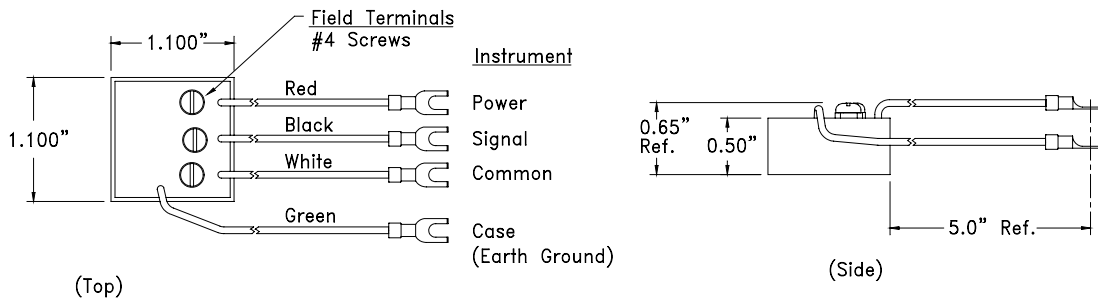
Specifications	SPT-43U05	SPT-43U14	SPT-43U25	SPT-43U28	SPT-43U36	SPT-43U50	SPT-43U60
Operating Voltage	5 Volts	12 Volts	24 Volts	28 Volts	36 Volts	50 Volts	60 Volts
Maximum Operating Voltage	6 Volts	14 Volts	27 Volts	30 Volts	38 Volts	55 Volts	67 Volts
Maximum Operating Current	200 mA	200 mA	200 mA	200 mA	200 mA	200 mA	200 mA
Clamping Action Turn-On	7.1 Volts	14.3 Volts	28.5 Volts	31.4 Volts	40.9 Volts	58.9 Volts	71.3 Volts
Maximum Clamping at 2 kA (8 x 20 µSec)	11 Volts	22 Volts	44 Volts	46 Volts	58 Volts	81 Volts	94 Volts
Maximum Surge Voltage	20 kV	20 kV	20 kV	20 kV	20 kV	20 kV	20 kV
Maximum Surge Current (8 x 20 µSec)	10.0 kA	10.0 kA	10.0 kA	10.0 kA	10.0 kA	10.0 kA	10.0 kA
Current Leakage / Line At Operating Voltage	500 µA	5 µA	5 µA	5 µA	5 µA	5 µA	5 µA
Capacitance/Line At Rated Voltage	4000 pF	2000 pF	500 pF	500 pF	400 pF	300 pF	200 pF
Response Time	Less than 1 nanosecond						
Operating & Storage Temperature	-40 °C to +85 °C						

Consult factory to select other operating conditions and specifications. All specifications at 25 degrees Celsius.

## Typical Installation:



## Outline Dimensions:



**Circuit Components, Inc.**  
 2400 S. Roosevelt Street Tempe, AZ • 85282  
 Tel: 480-967-0624 • Fax: 480-967-9385  
 Email: [info@surgecontrol.com](mailto:info@surgecontrol.com) • Website: [www.surgecontrol.com](http://www.surgecontrol.com)

**SURGE CONTROL**®  
 A PRODUCT OF CCI

This information is not intended to and does not create any warranties, expressed or implied, including any warranty of merchantability or fitness for a particular purpose. Circuit Components Inc. reserves the right to change specifications at any time without notice.