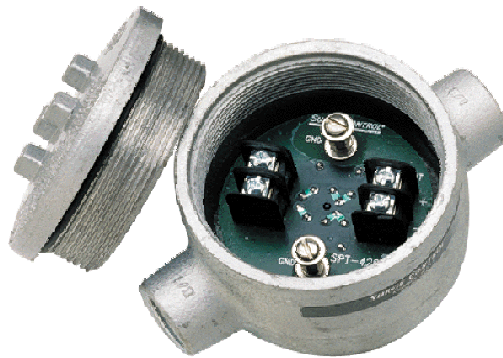


# SPT-420 SERIES

Explosion Proof  
TRANSMITTER / INSTRUMENT

DATA LINE SUPPRESSOR



---

## FEATURES:

- ▶ Compatible with all models of dp field transmitters and 4-20mA measurement and process control instruments.
- ▶ Easy mounting using a standard 1/2 inch conduit.
- ▶ For field use including the most hazardous environments of Class 1, Groups C, D; Class II, Groups E, F, G; Class III Division 1.
- ▶ Exceeds severity level 4 of IEC/EN 61000-4-4 (provides 10 kA / Line of surge protection).
- ▶ Unique multi-stage design provides the most effective suppression available and requires no additional secondary protection.
- ▶ Automatically resets after each transient. No maintenance is required.
- ▶ Sub nanosecond response time stops failures due to lightning, spikes and over-voltage surges while minimizing other electrical noise.
- ▶ Superior protection at an affordable price.
- ▶ Suppressor PCB is replaceable without removing enclosure for mounting.

---

## Applications:

The SPT-420 Series is designed to protect 2 wire transmitters, process and control equipment, 4-20mA loop instrumentation, data processing and telecommunication equipment, etc. This Series may be used at either or both ends of analog or digital signal/data lines.

Select the model according to the operating voltage found on the reverse side of this data sheet.

---

## Typical Installation:

The SPT-420 Series mounting allows direct screw-in to all dp transmitters and other process measurement instrumentation. Mount the suppressor as near the equipment it protects as possible. A separate ground is not required if the instrument/conduit housing is properly grounded. Use #12 AWG or larger if a ground wire is needed.

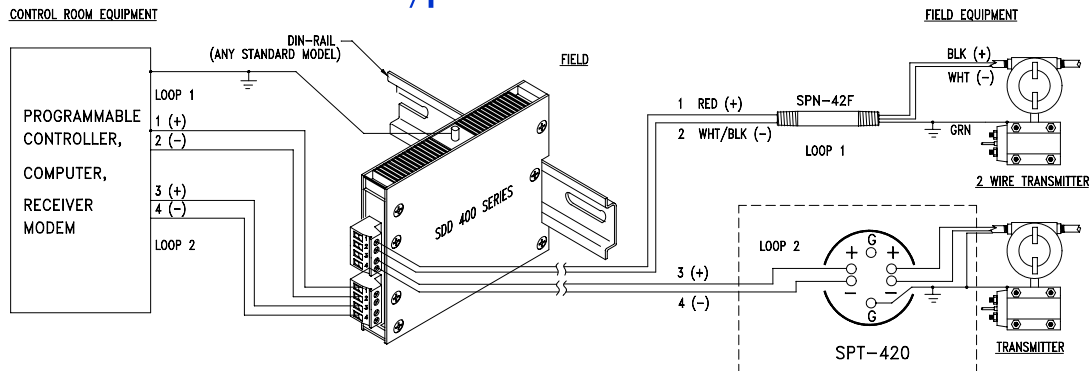
**SURGE CONTROL**®  
A PRODUCT OF CCI

# SPT-420 SERIES OPERATING SPECIFICATIONS:

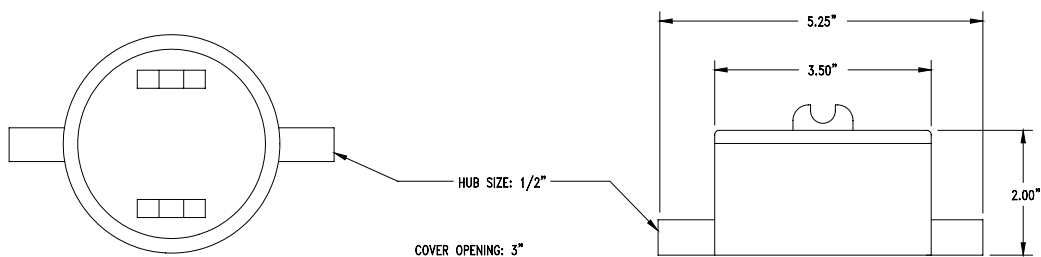
Specifications	SPT-42005	SPT-42014	SPT-42025	SPT-42028	SPT-42036	SPT-42050	SPT-42060
Operating Voltage	5 Volts	12 Volts	24 Volts	28 Volts	36 Volts	50 Volts	60 Volts
Maximum Operating Voltage	6 Volts	14 Volts	27 Volts	30 Volts	38 Volts	55 Volts	67 Volts
Maximum Operating Current	200 mA	200 mA	200 mA	200 mA	200 mA	200 mA	200 mA
Clamping Action Turn-On	7.1 Volts	14.3 Volts	28.5 Volts	31.4 Volts	40.9 Volts	58.9 Volts	71.3 Volts
Maximum Clamping at 2 kA (8 x 20 μSec)	11 Volts	22 Volts	44 Volts	46 Volts	58 Volts	81 Volts	94 Volts
Maximum Surge Voltage	20 kV	20 kV	20 kV	20 kV	20 kV	20 kV	20 kV
Maximum Surge Current (8 x 20 μSec)	10.0 kA	10.0 kA	10.0 kA	10.0 kA	10.0 kA	10.0 kA	10.0 kA
Current Leakage/Line At Operating Voltage	500 μA	5 μA	5 μA	5 μA	5 μA	5 μA	5 μA
Capacitance/Line At Rated Voltage	4000 pF	2000 pF	500 pF	500 pF	400 pF	300 pF	200 pF
Response Time	Less than 1 nanosecond						
Operating & Storage Temperature	-40 °C to +85 °C						

Consult the factory for other applications and operating conditions and specifications. All specifications at 25 degrees Celsius.

## Typical Installation:



## Outline Dimensions:



**Circuit Components, Inc.**  
 2400 S. Roosevelt Street Tempe, AZ • 85282  
 Tel: 480-967-0624 • Fax: 480-967-9385  
 Email: [info@surgecontrol.com](mailto:info@surgecontrol.com) • Website: [www.surgecontrol.com](http://www.surgecontrol.com)

**SURGE CONTROL**®  
 A PRODUCT OF **CCI**

This information is not intended to and does not create any warranties, expressed or implied, including any warranty of merchantability or fitness for a particular purpose. Circuit Components Inc. reserves the right to change specifications at any time without notice.