

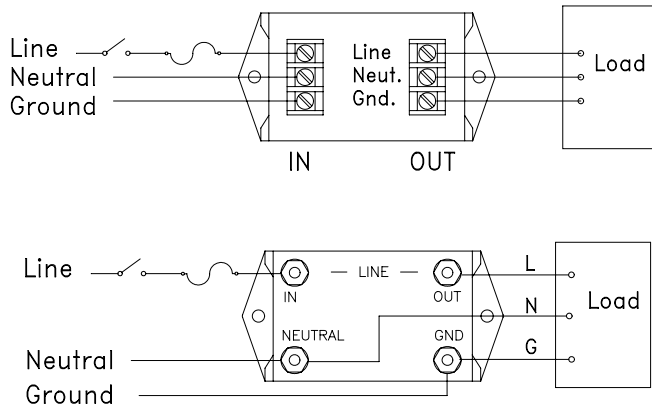
INSTALLATION INSTRUCTIONS

SPP-2200 SERIES

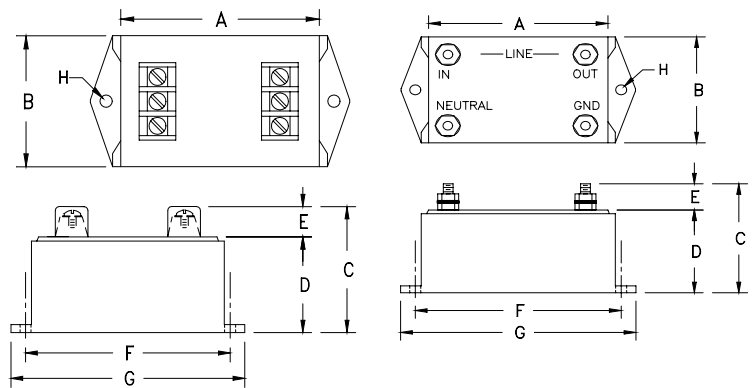
220 VAC WIRE IN

SURGE SUPPRESSOR

TYPICAL INSTALLATION:



OUTLINE DIMENSIONS:



DIMENSIONS ARE IN MILLIMETERS

MODEL	A	B	C	D	E	F	G	H (Hole Size)	WIRE CONNECTION
SPP-2201	76.2	50.8	58.9	38.1	20.8	88.9	101.6	4.76	Barrier Strip # 6
SPP-2202	76.2	76.2	52.1	38.1	14	88.9	101.6	4.76	10-32 Screw Post
SPP-2203	76.2	76.2	52.1	38.1	14	88.9	101.6	4.76	10-32 Screw Post
SPP-2204	76.2	50.8	52.1	38.1	14	88.9	101.6	4.76	8-32 Screw Post
SPP-2204A	50.8	50.8	52.1	38.1	14	88.9	76.2	4.76	8-32 Screw Post

CAUTION: Make sure equipment power is OFF before installing suppressor.

Install the SPP-2200 Series after the AC power line switch and fuse, and as close to the electronic equipment it protects as possible. The ground terminal must be connected to a good earth ground (AWG #14 or larger). Dress output (clean) AC lines away from incoming power line. **The suppressor contains no internal fuse and can fail short under direct lightning exposure; therefore, proper fusing is essential.** Heat sinking is not required.

WIRING INSTRUCTIONS:

CAUTION: Turn power to equipment OFF at breaker before installing suppressor.

- (A) Cut L, N, and G lines at suppressor location.
- (B) Remove 1/4" of insulation from each conductor wire.
- (C) Tin the end of each exposed wire with solder.

For SPP-2201:

(D1) Attach spade lug to each conductor to fit standard barrier strip terminal and attach wires as indicated in figure above.

For SPP-2202, SPP-2203, SPP-2204, and SPP-2204A:

- (D2) Attach spade lug on each conductor to fit #10 or #8 screw (depending on model) and attach wires as indicated in figure above.
- (E) Keep ground wire (#14 AWG or larger) as short as possible.
- (F) Mount suppressor to a suitable surface using appropriate hardware (not supplied) and the two mounting holes.
- (G) Restore power to ON.